

No. F079-3676

ISSUED: Mar. 12, 2012

REVISED: Jun. 28, 2013



 **HOSHIZAKI**  
**SELF-CONTAINED FLAKER**

**MODEL FM-80KE(-N)**  
**(F079, F079-C106)**

**PARTS LIST**  
(HE)

B-1 JAN. 2012  
C-0 JAN. 2013  
C-1 APR. 2013

## AUXILIARY CODE

U - 1

The auxiliary code is the first two characters in the serial number. The first character indicates the production year. Years progress or regress in alphabetical order. The series of letters and skipped letters depend on UL listing, production, and model. See the auxiliary code(s) and corresponding year(s) on the front cover.

The second character indicates significant part changes within the same year. Base is "1" and this number advances for each change. If there is no significant part change at the turn of the year, this number starts from "0."

## MARKS LOCATED UNDER THE AUXILIARY CODE

- = Part deleted.
- x = Part deleted and replaced by "o" part.
- o = New part in place of "x" part.

## FASTENER PART NUMBER

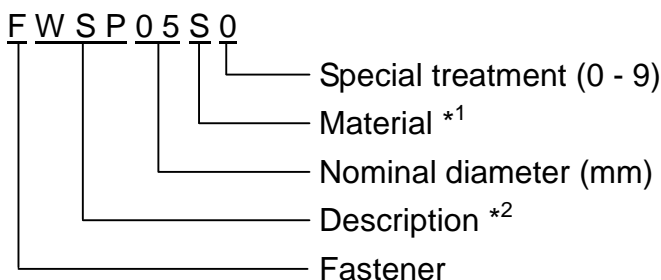
### SCREWS



\*1 Material

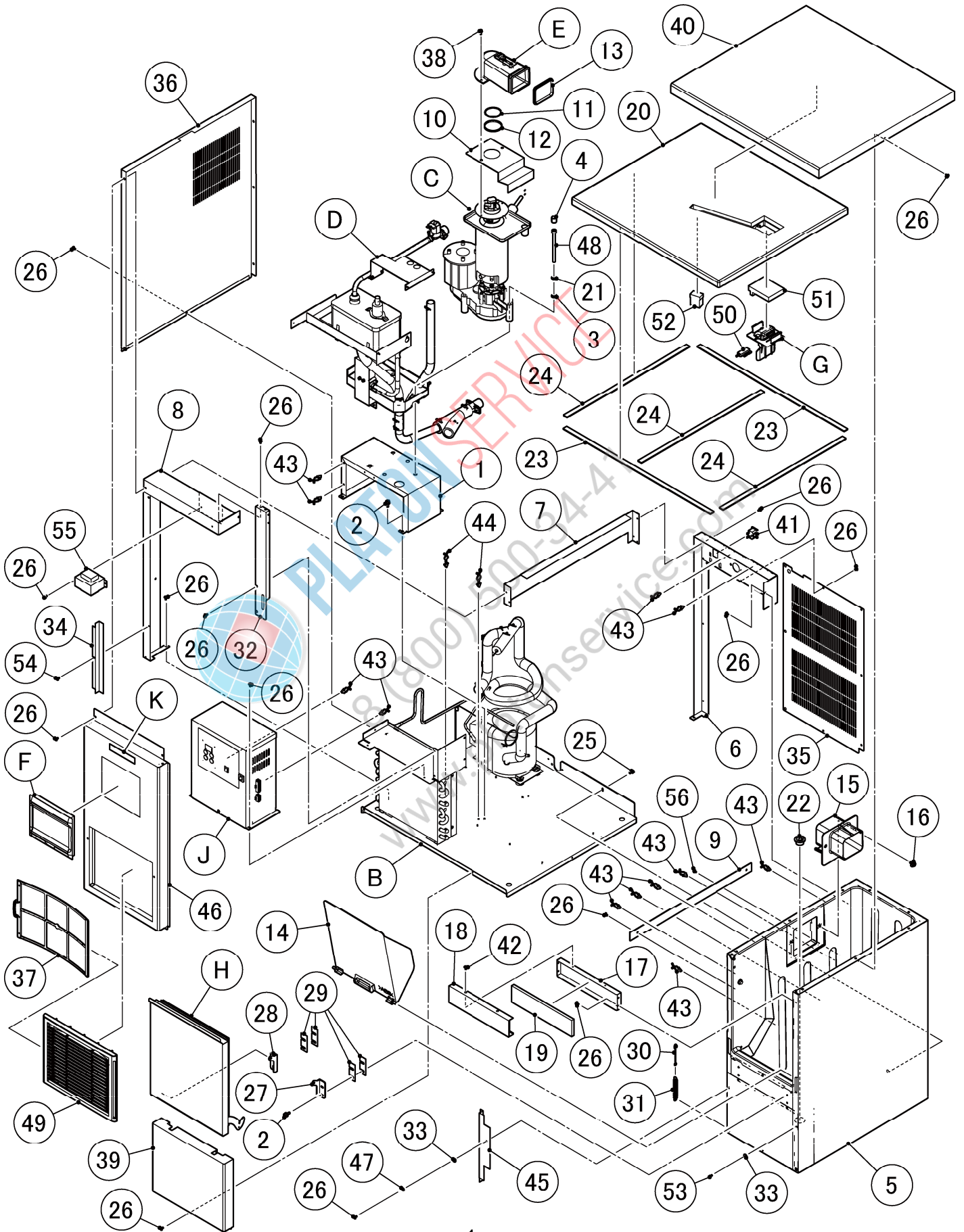
- F: Steel
- S: Austenitic stainless steel
- M: Martensitic stainless steel
- B: Copper alloy
- P: Polycarbonate
- N: Polyamide
- V: PVC
- A: ABS
- X: Polyacetal
- L: Aluminum

### NUTS & WASHERS



\*2 Description

- First letter
- S: Machine screw
- T: Tapping screw
- M: Wood screw
- B: Bolt
- W: Washer
- N: Nut



HE

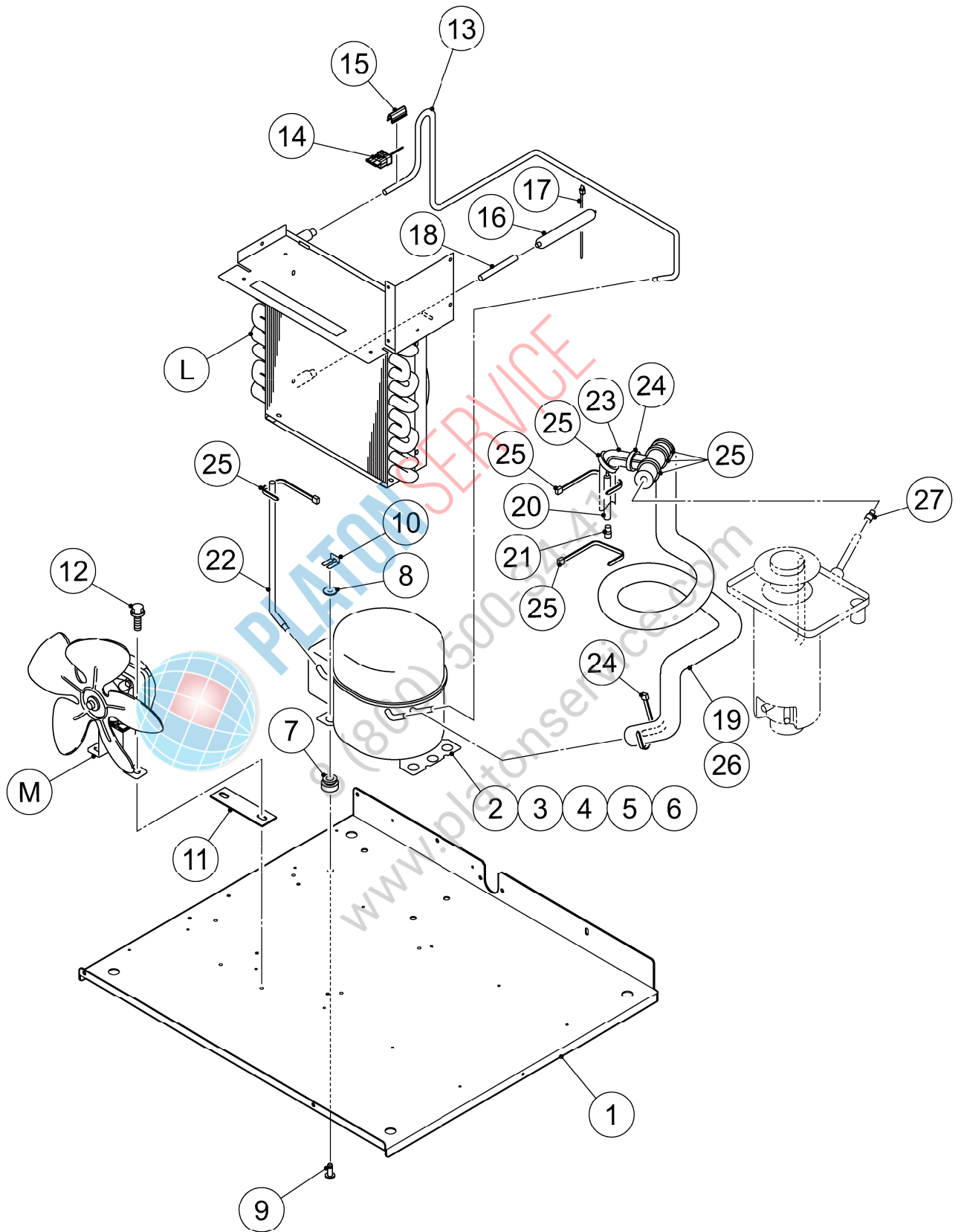
| MODEL: FM-80KE, FM-80KE-N |   | TITLE: A. ICE FLAKER ASSY |             |              |     |  |  |  |
|---------------------------|---|---------------------------|-------------|--------------|-----|--|--|--|
| INDEX NO.                 | DESCRIPTION                                   | MATERIAL OR MODEL NUMBER  | PART NUMBER | REQ'D NUMBER |     |  |  |  |
|                           |   |                           |             | B-1<br>C-0   | C-1 |  |  |  |
| B                         | REFRIGERATION CIECUIT                         |                           | 121629A01   | 1            | 1   |  |  |  |
| C                         | ICE MAKING UNIT                               |                           | 376130A01   | 1            | 1   |  |  |  |
|                           |   | F079-C106                 | 376130001   | 1            | 1   |  |  |  |
| D                         | WATER CIRCUIT ASSY                            |                           | 121617A01   | 1            | 1   |  |  |  |
| E                         | SPOUT ASSY                                    |                           | 358941A01   | 1            | 1   |  |  |  |
| F                         | WINDW PANEL ASSY                              |                           | 348243A03   | 1            | 1   |  |  |  |
| G                         | ACTUATOR ASSY                                 |                           | 350301A01   | 1            | 1   |  |  |  |
| H                         | DOOR ASSY                                     |                           | 373745A01   | 1            | 1   |  |  |  |
| J                         | CONTROL BOX ASSY                              |                           | 261574A01   | 1            | 1   |  |  |  |
| K                         | LABEL LOCATION                                |                           | 261550A01   | 1            | 1   |  |  |  |
|                           |   | F079-C106                 | 261550A02   | 1            | 1   |  |  |  |
| N                         | ACCESSORIES                                   |                           | A02455-01   | 1            | 1   |  |  |  |
|                           |   |                           |             |              |     |  |  |  |
| 1                         | BRACKET / GM                                  |                           | 376111G01   | 1            | 1   |  |  |  |
| 2                         | HEX HEAD BOLT (SPRING WASHER AND FLAT WASHER) |                           | FBK0616S0   | 8            | 8   |  |  |  |
| 3                         | SEAL WASHER                                   |                           | 458299-01   | 3            | 3   |  |  |  |
| 4                         | VINYL CAP                                     |                           | 451272-01   | 3            | 3   |  |  |  |
| 5                         | BIN - FOAMED                                  |                           | 261571G01   | 1            | 1   |  |  |  |
| 6                         | REAR FRAME                                    |                           | 261572M01   | 1            | 1   |  |  |  |
| 7                         | SIDE FRAME                                    |                           | 376024M01   | 1            | 1   |  |  |  |
| 8                         | FRONT FRAME                                   |                           | 263035M01   | 1            | 1   |  |  |  |
| 9                         | BRACE - EVAPORATOR                            |                           | 476423M01   | 1            | 1   |  |  |  |
| 10                        | BRACKET-EVA                                   |                           | 376026M01   | 1            | 1   |  |  |  |
| 11                        | O-RING  |                           | 7616-G045   | 1            | 1   |  |  |  |
| 12                        | RING  |                           | 432661-03   | 1            | 1   |  |  |  |
| 13                        | PACKING (A) - SPOUT                           |                           | 427152-02   | 1            | 1   |  |  |  |
| 14                        | SLOPE   |                           | 362588G01   | 1            | 1   |  |  |  |
| 15                        | SPOUT(B)                                      |                           | 232654-02   | 1            | 1   |  |  |  |
| 16                        | BOLT  |                           | 462612-01   | 2            | 2   |  |  |  |
| 17                        | FRONT BRACE - BIN                             |                           | 466313-01   | 1            | 1   |  |  |  |
| 18                        | FRONT FRAME - BIN                             |                           | 466312-01   | 1            | 1   |  |  |  |

HE

| MODEL: FM-80KE, FM-80KE-N |   | TITLE: A. ICE FLAKER ASSY |             |              |     |  |  |  |
|---------------------------|---|---------------------------|-------------|--------------|-----|--|--|--|
| INDEX NO.                 | DESCRIPTION                                   | MATERIAL OR MODEL NUMBER  | PART NUMBER | REQ'D NUMBER |     |  |  |  |
|                           |   |                           |             | B-1<br>C-0   | C-1 |  |  |  |
| 19                        | INSULATION - FRONT                            |                           | 466394-01   | 1            | 1   |  |  |  |
| 20                        | UPPER PANEL                                   |                           | 258350G01   | 1            | 1   |  |  |  |
| 21                        | SPRING WASHER                                 |                           | FWSP08S0    | 3            | 3   |  |  |  |
| 22                        | DRAIN PIPE                                    |                           | 466275-01   | 1            | 1   |  |  |  |
| 23                        | SOFT TAPE                                     |                           | 121619Z01   | 2            | 2   |  |  |  |
|                           |   | F079-C106                 | 476416Z01   | 2            | 2   |  |  |  |
| 24                        | SOFT TAPE                                     |                           | 121619Z02   | 3            | 3   |  |  |  |
|                           |   | F079-C106                 | 476418Z01   | 3            | 3   |  |  |  |
| 25                        | HEX HEAD BOLT (SPRING WASHER AND FLAT WASHER) |                           | FBK0512S0   | 1            | 1   |  |  |  |
| 26                        | TRUSS HEAD TAPPING SCREW (S-TITE)             |                           | FTS0408M0   | 44           | 44  |  |  |  |
| 27                        | HINGE (A)                                     |                           | 4H2583-01   | 1            | 1   |  |  |  |
| 28                        | HINGE(L)                                      |                           | 4H2584-01   | 1            | 1   |  |  |  |
| 29                        | HINGE SPACER (B)                              |                           | 4H0605-02   | 2            | 2   |  |  |  |
| 30                        | HOOK  |                           | 404060-07   | 1            | 1   |  |  |  |
| 31                        | SPRING  |                           | 4H0491-01   | 1            | 1   |  |  |  |
| 32                        | FRONT PLATE                                   |                           | 358898-01   | 1            | 1   |  |  |  |
| 33                        | TAPER COLLAR                                  |                           | 4H0171-01   | 2            | 2   |  |  |  |
| 34                        | BARRIER - AIR                                 |                           | 466295-01   | 1            | 1   |  |  |  |
| 35                        | REAR PANEL(L)                                 |                           | 261575M01   | 1            | 1   |  |  |  |
| 36                        | SIDE PANEL(L)                                 |                           | 261576M01   | 1            | 1   |  |  |  |
| 37                        | AIR FILTER                                    |                           | 2X0416G01   | 1            | 1   |  |  |  |
| 38                        | HEX HEAD BOLT (SPRING WASHER AND FLAT WASHER) |                           | FBK0412S0   | 3            | 3   |  |  |  |
| 39                        | FRONT PANEL (R)                               |                           | 362595-01   | 1            | 1   |  |  |  |
| 40                        | TOP PANEL                                     |                           | 241759-01   | 1            | 1   |  |  |  |
| 41                        | CONNECTOR                                     |                           | P00245-02   | 1            | 1   |  |  |  |
| 42                        | TRUSS HEAD TAPPING SCREW T2                   |                           | FT20408M0   | 2            | 2   |  |  |  |
| 43                        | CLAMP   | No. 249                   | 427902-03   | 12           | 12  |  |  |  |
| 44                        | CLAMP   | No.1F55                   | 427902-07   | 2            | 2   |  |  |  |
| 45                        | BARRIER - AIR                                 |                           | 468195-01   | 1            | 1   |  |  |  |
| 46                        | FRONT PANEL                                   |                           | 376112G01   | 1            | 1   |  |  |  |
| 47                        | FLAT WASHER                                   |                           | FWPL04F0    | 1            | 1   |  |  |  |

HE

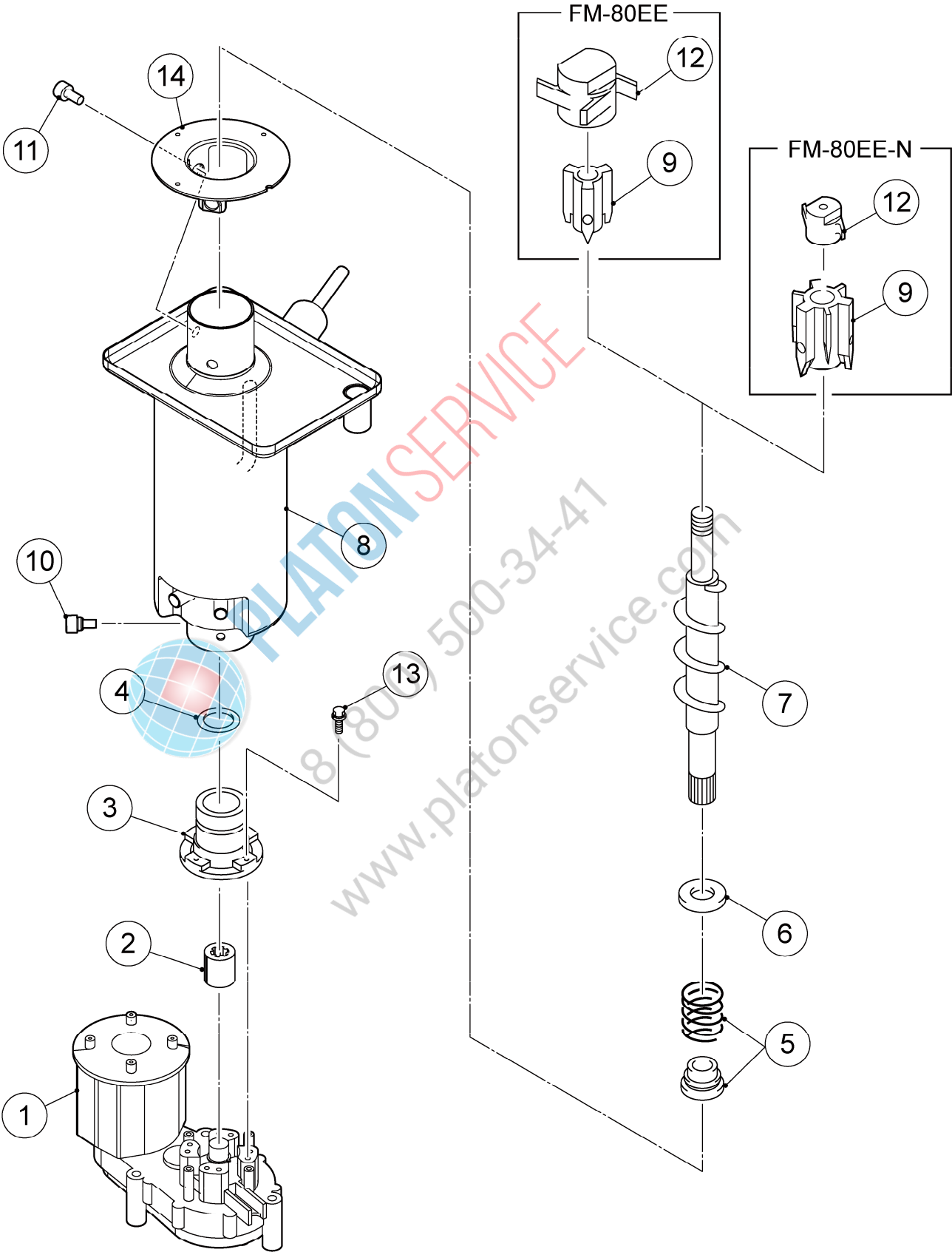
| MODEL: FM-80KE, FM-80KE-N |   | TITLE: A. ICE FLAKER ASSY |             |              |     |  |  |  |
|---------------------------|---|---------------------------|-------------|--------------|-----|--|--|--|
| INDEX NO.                 | DESCRIPTION                                       | MATERIAL OR MODEL NUMBER  | PART NUMBER | REQ'D NUMBER |     |  |  |  |
|                           |   |                           |             | B-1<br>C-0   | C-1 |  |  |  |
| 48                        | HEXAGON SOCKET HEAD CAP SCREW                     |                           | 461285-01   | 3            | 3   |  |  |  |
| 49                        | LOUVER  |                           | 1H4811P01   | 1            | 1   |  |  |  |
| 50                        | REED SWITCH                                       |                           | 453861-02   | 1            | 1   |  |  |  |
| 51                        | INSULATION (A) - UP                               |                           | 458667-01   | 1            | 1   |  |  |  |
| 52                        | INSULATION (B) - UP                               |                           | 458668-01   | 1            | 1   |  |  |  |
| 53                        | RIVET   | SSD43BS                   | 7170-0003   | 1            | 1   |  |  |  |
| 54                        | TRUSS HEAD MACHINE SCREW                          |                           | FST0408S0   | 1            | 1   |  |  |  |
| 55                        | TRANSFORMER                                       |                           | P02623-01   | 1            | 1   |  |  |  |
| 56                        | PAN HEAD MACHINE SCREW<br>(SPRING WASHER AND FLAT |                           | FSK0408S0   | 1            | 1   |  |  |  |
|                           |   |                           |             |              |     |  |  |  |
|                           |   |                           |             |              |     |  |  |  |
|                           |   |                           |             |              |     |  |  |  |
|                           |   |                           |             |              |     |  |  |  |
|                           |   |                           |             |              |     |  |  |  |
|                           |   |                           |             |              |     |  |  |  |
|                           |   |                           |             |              |     |  |  |  |
|                           |   |                           |             |              |     |  |  |  |
|                           |   |                           |             |              |     |  |  |  |
|                           |   |                           |             |              |     |  |  |  |
|                           |   |                           |             |              |     |  |  |  |
|                           |   |                           |             |              |     |  |  |  |
|                           |   |                           |             |              |     |  |  |  |
|                           |   |                           |             |              |     |  |  |  |



HE

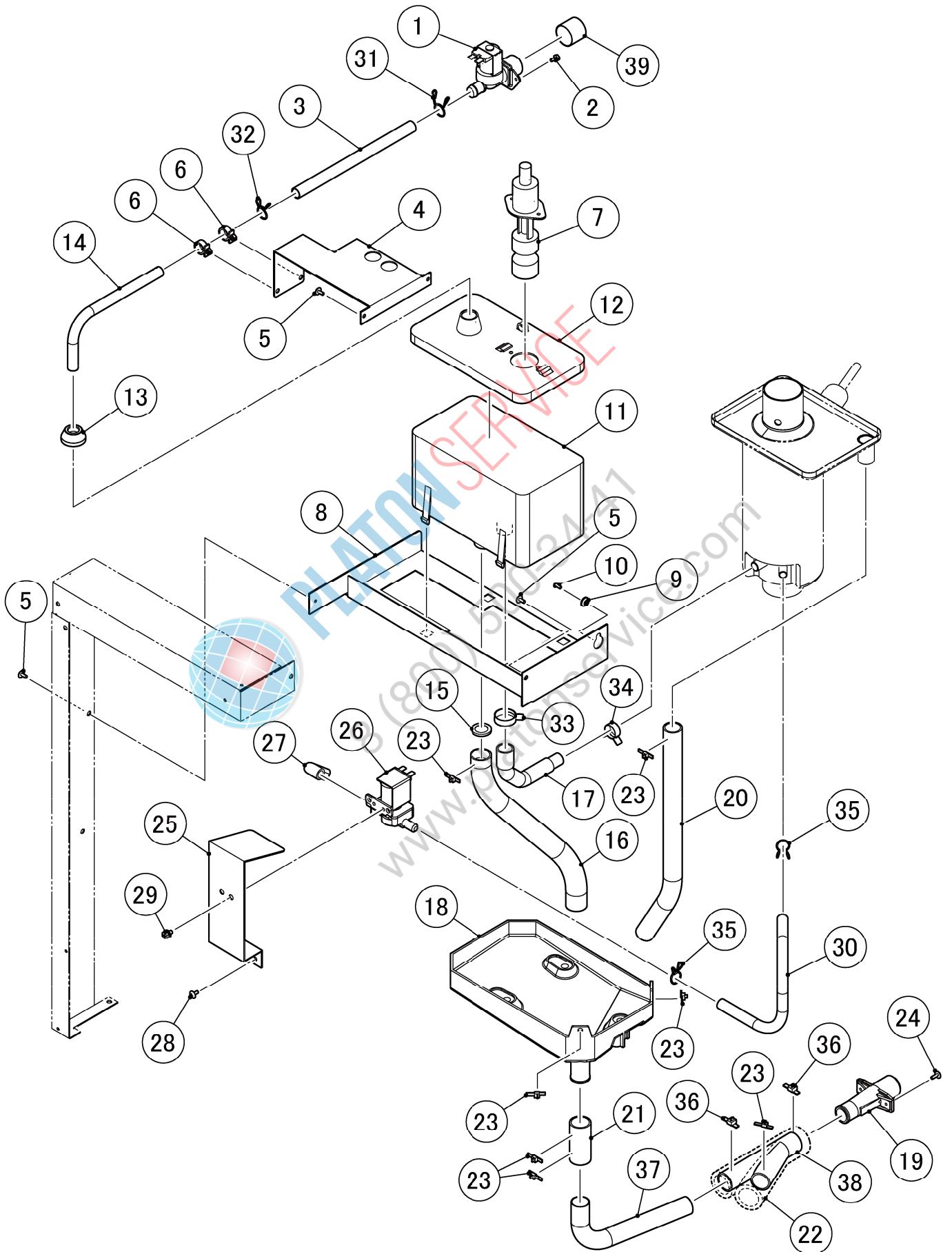
| MODEL: FM-80KE, FM-80KE-N |                            | TITLE: B. REFRIGERATION CIRCUIT |             |              |     |  |  |  |
|---------------------------|----------------------------|---------------------------------|-------------|--------------|-----|--|--|--|
| INDEX NO.                 | DESCRIPTION                | MATERIAL OR MODEL NUMBER        | PART NUMBER | REQ'D NUMBER |     |  |  |  |
|                           |                            |                                 |             | B-1<br>C-0   | C-1 |  |  |  |
| L                         | CONDENSER ASSY             |                                 | 261613A01   | 1            | 1   |  |  |  |
| M                         | FAN MOTOR ASSY             |                                 | 3Y5554A01   | 1            | 1   |  |  |  |
|                           |                            |                                 |             |              |     |  |  |  |
| 1                         | BASE                       |                                 | 261577G01   | 1            | 1   |  |  |  |
| 2                         | COMPRESSOR                 | TLS6F                           | 450900-01   | 1            | 1   |  |  |  |
| 3                         | STARTING RELAY             | CM ACCESSORIES                  | 451264-01   | 1            | 1   |  |  |  |
| 4                         | STARTING CAPACITOR         | CM ACCESSORIES                  | 452765-01   | 1            | 1   |  |  |  |
| 5                         | CORD RELIEF                | CM ACCESSORIES                  | 450899-01   | 1            | 1   |  |  |  |
| 6                         | COVER                      | CM ACCESSORIES                  | 450896-01   | 1            | 1   |  |  |  |
| 7                         | RUBBER GROMMET             |                                 | 450897-01   | 4            | 4   |  |  |  |
| 8                         | WASHER                     |                                 | 450894-01   | 4            | 4   |  |  |  |
| 9                         | STEEL PIN                  |                                 | 452255-01   | 4            | 4   |  |  |  |
| 10                        | CLIP                       |                                 | 452256-01   | 4            | 4   |  |  |  |
| 11                        | SPACER - FAN MOTOR         |                                 | 468443-01   | 1            | 1   |  |  |  |
| 12                        | HEX.BOLT SW                | 6 x 20                          | 458660-01   | 2            | 2   |  |  |  |
| 13                        | COPPER TUBE(A) - HIGH SIDE |                                 | 376077G01   | 1            | 1   |  |  |  |
| 14                        | THERMISTOR ASSY            |                                 | 476475G01   | 1            | 1   |  |  |  |
| 15                        | THERMISTOR - HOLDER        |                                 | 458132-01   | 1            | 1   |  |  |  |
| 16                        | DRIER                      |                                 | 445655-05   | 1            | 1   |  |  |  |
| 17                        | TIE                        | RT30SSF5                        | 457167-01   | 1            | 1   |  |  |  |
| 18                        | CHARGE TUBE                | L=72                            | 476448M01   | 1            | 1   |  |  |  |
| 19                        | HEAT EXCHANGER             |                                 | 261650G01   | 1            | 1   |  |  |  |
| 20                        | COPPER TUBE - CAPILLARY    |                                 | 463885-02   | 1            | 1   |  |  |  |
| 21                        | REDUCER                    | 9.52 x 8                        | 421904-17   | 1            | 1   |  |  |  |
| 22                        | PROCESS TUBE - LOW SIDE    |                                 | 468444-01   | 1            | 1   |  |  |  |
| 23                        | INSULATION TUBE            | L=90                            | H71030300   | 1            | 1   |  |  |  |
| 24                        | CABLE TIE                  | CV-100                          | 7920-0002   | 2            | 2   |  |  |  |
| 25                        | CABLE TIE                  | CV-150                          | 7920-0003   | 7            | 7   |  |  |  |
| 26                        | RUBBER SHEET               |                                 | 446470-01   | 1            | 1   |  |  |  |
| 27                        | REDUCER                    |                                 | 421904-23   | 1            | 1   |  |  |  |





HE

| MODEL: <b>FM-80KE, FM-80KE-N</b> |                        | TITLE: <b>C. ICE MAKING UNIT</b> |             |              |     |  |  |  |
|----------------------------------|------------------------|----------------------------------|-------------|--------------|-----|--|--|--|
| INDEX NO.                        | DESCRIPTION            | MATERIAL OR MODEL NUMBER         | PART NUMBER | REQ'D NUMBER |     |  |  |  |
|                                  |                        |                                  |             | B-1<br>C-0   | C-1 |  |  |  |
| 1                                | GEAR MOTOR             |                                  | P02068-02   | 1            | 1   |  |  |  |
| 2                                | COUPLING-SPLINE ASSY   |                                  | 418316-01   | 1            | 1   |  |  |  |
| 3                                | HOUSING                |                                  | 206013G05   | 1            | 1   |  |  |  |
| 4                                | O RING                 |                                  | 7616-G040   | 1            | 1   |  |  |  |
| 5                                | MECHANICAL SEAL        |                                  | 432491-01   | 1            | 1   |  |  |  |
| 6                                | RING(B)                |                                  | 432494-01   | 1            | 1   |  |  |  |
| 7                                | AUGER                  |                                  | 361013G01   | 1            | 1   |  |  |  |
| 8                                | EVAPORATOR             |                                  | 241041G02   | 1            | 1   |  |  |  |
| 9                                | EXTRUDING HEAD-45F     |                                  | 327140G01   | 1            | 1   |  |  |  |
|                                  | EXTRUDING HEAD(NUGGET) | F079-C106                        | 327141G01   | 1            | 1   |  |  |  |
| 10                               | SCREW                  |                                  | P01718-01   | 4            | 4   |  |  |  |
| 11                               | SEALBOLT-M8            |                                  | P01768-01   | 3            | 3   |  |  |  |
| 12                               | 4 CUTTER               |                                  | 427137-01   | 1            | 1   |  |  |  |
|                                  | CUTTER                 | F079-C106                        | 440905-01   | 1            | 1   |  |  |  |
| 13                               | HEX.BOLT SW            | 6 x 20                           | 458660-01   | 4            | 4   |  |  |  |
| 14                               | FLANGE/45              |                                  | 464843-01   | 1            | 1   |  |  |  |



HE

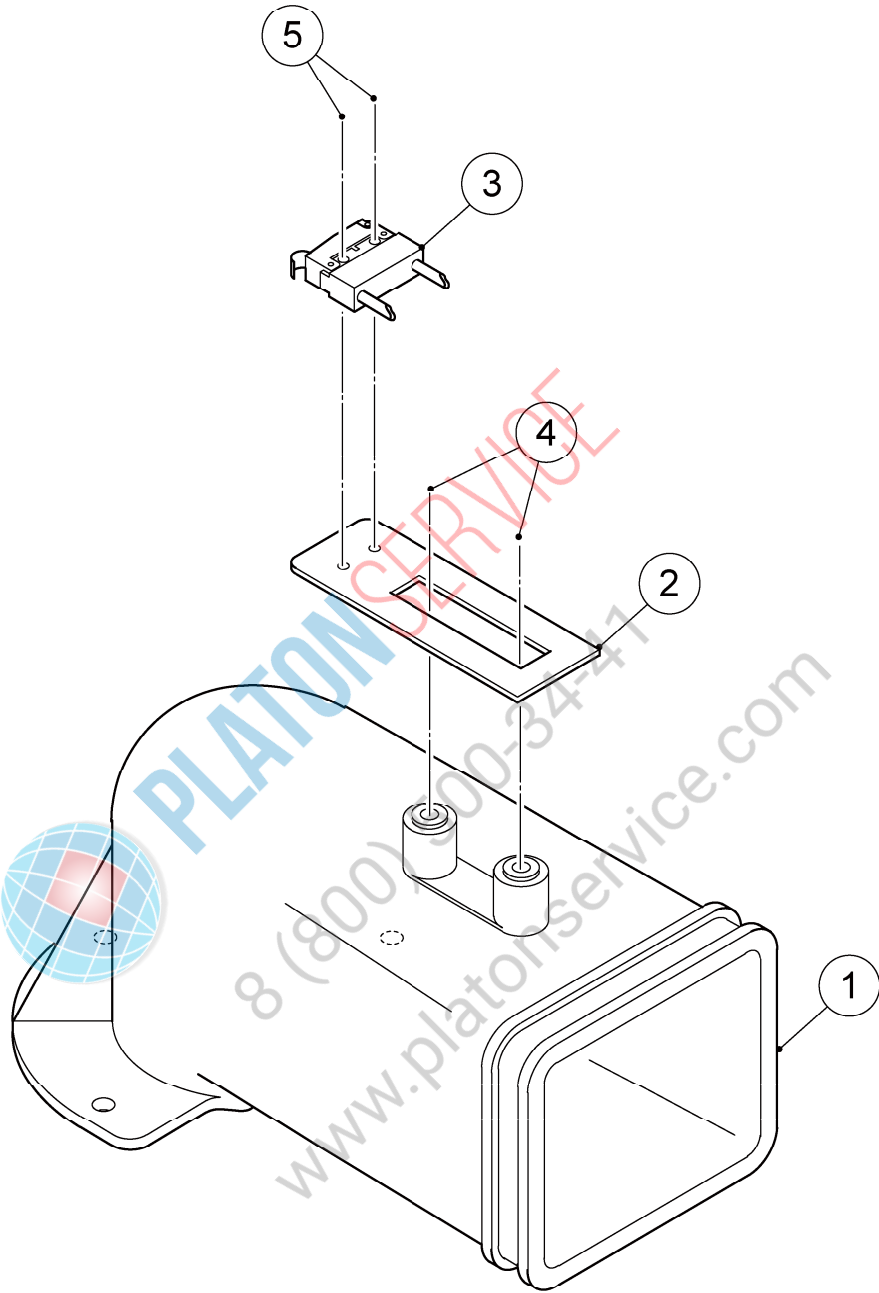
| MODEL: FM-80KE, FM-80KE-N |                               | TITLE: D. WATER CIRCUIT  |             |              |     |  |  |  |
|---------------------------|-------------------------------|--------------------------|-------------|--------------|-----|--|--|--|
| INDEX NO.                 | DESCRIPTION                   | MATERIAL OR MODEL NUMBER | PART NUMBER | REQ'D NUMBER |     |  |  |  |
|                           |                               |                          |             | B-1<br>C-0   | C-1 |  |  |  |
| 1                         | WATER VALVE                   |                          | 452993-01   | 1            | 1   |  |  |  |
| 2                         | HEX HEAD BOLT                 |                          | FBH0408F0   | 2            | 2   |  |  |  |
| 3                         | SI HOSE                       |                          | H11114200   | 1            | 1   |  |  |  |
| 4                         | PIPE BRACKET                  |                          | 476456M01   | 1            | 1   |  |  |  |
| 5                         | TRUSS HEAD MACHINE SCREW      |                          | FST0408F0   | 4            | 4   |  |  |  |
| 6                         | CLAMP                         |                          | 428644-03   | 2            | 2   |  |  |  |
| 7                         | FLOAT SWITCH                  |                          | 458279-01   | 1            | 1   |  |  |  |
| 8                         | RESERVIOR BRACKET             |                          | 362979-01   | 1            | 1   |  |  |  |
| 9                         | TAPER COLLAR                  |                          | 4H0171-01   | 1            | 1   |  |  |  |
| 10                        | RIVET                         | SSD43BS                  | 7170-0003   | 1            | 1   |  |  |  |
| 11                        | RESERVOIR                     |                          | 232626-01   | 1            | 1   |  |  |  |
| 12                        | COVER - RESERVOIR             |                          | 232627-01   | 1            | 1   |  |  |  |
| 13                        | COVER - RESERVOIR INLET       |                          | 415094-01   | 1            | 1   |  |  |  |
| 14                        | WATER SUPPLY PIPE (A)         |                          | 476457M01   | 1            | 1   |  |  |  |
| 15                        | STOPPER COVER(R)              |                          | 4X1497G01   | 1            | 1   |  |  |  |
| 16                        | PVC Hose                      |                          | HA2226300   | 1            | 1   |  |  |  |
| 17                        | HOSE A                        |                          | 458308-01   | 1            | 1   |  |  |  |
| 18                        | DRAIN PAN                     |                          | 261640P01   | 1            | 1   |  |  |  |
| 19                        | DRAIN PIPE                    |                          | 321035-01   | 1            | 1   |  |  |  |
| 20                        | PVC Hose                      |                          | HA1923340   | 1            | 1   |  |  |  |
| 21                        | PVC Hose                      |                          | HA2226030   | 1            | 1   |  |  |  |
| 22                        | INSULATION TUBE               |                          | H72636B18   | 1            | 1   |  |  |  |
| 23                        | TIE                           | CV-150                   | 7920-0003   | 7            | 7   |  |  |  |
| 24                        | TRUSS HEAD TAPPING SCREW T2   |                          | FT20410F0   | 2            | 2   |  |  |  |
| 25                        | BRACKET/WV                    |                          | 476458M01   | 1            | 1   |  |  |  |
| 26                        | WATER VALVE                   |                          | 468655-01   | 1            | 1   |  |  |  |
| 27                        | DRAIN PIPE                    |                          | 460263-01   | 1            | 1   |  |  |  |
| 28                        | TRUSS HEAD MACHINE SCREW      |                          | FST0408S0   | 2            | 2   |  |  |  |
| 29                        | HEX HEAD BOLT (SPRING WASHER) |                          | FBK0508S0   | 2            | 2   |  |  |  |
| 30                        | PVC Hose - FSA                |                          | HD0912240   | 1            | 1   |  |  |  |
| 31                        | HOSE CLAMP                    |                          | 435934-03   | 1            | 1   |  |  |  |

HE

| MODEL: FM-80KE, FM-80KE-N |             | TITLE: D. WATER CIRCUIT  |             |              |     |  |  |  |
|---------------------------|-------------|--------------------------|-------------|--------------|-----|--|--|--|
| INDEX NO.                 | DESCRIPTION | MATERIAL OR MODEL NUMBER | PART NUMBER | REQ'D NUMBER |     |  |  |  |
|                           |             |                          |             | B-1<br>C-0   | C-1 |  |  |  |
| 32                        | HOSE CLAMP  |                          | 435934-02   | 1            | 1   |  |  |  |
| 33                        | CLIP BAND   |                          | 423866-08   | 1            | 1   |  |  |  |
| 34                        | CLAMP       |                          | 423866-04   | 1            | 1   |  |  |  |
| 35                        | HOSE CLAMP  |                          | 435934-01   | 2            | 2   |  |  |  |
| 36                        | NYLON TIE   | CV-200                   | 7920-0010   | 2            | 2   |  |  |  |
| 37                        | DRAIN PIPE  |                          | 476676M01   | 1            | 1   |  |  |  |
| 38                        | DRAIN JOINT |                          | 358882-01   | 1            | 1   |  |  |  |
| 39                        | CAP         |                          | 417323-01   | 1            | 1   |  |  |  |

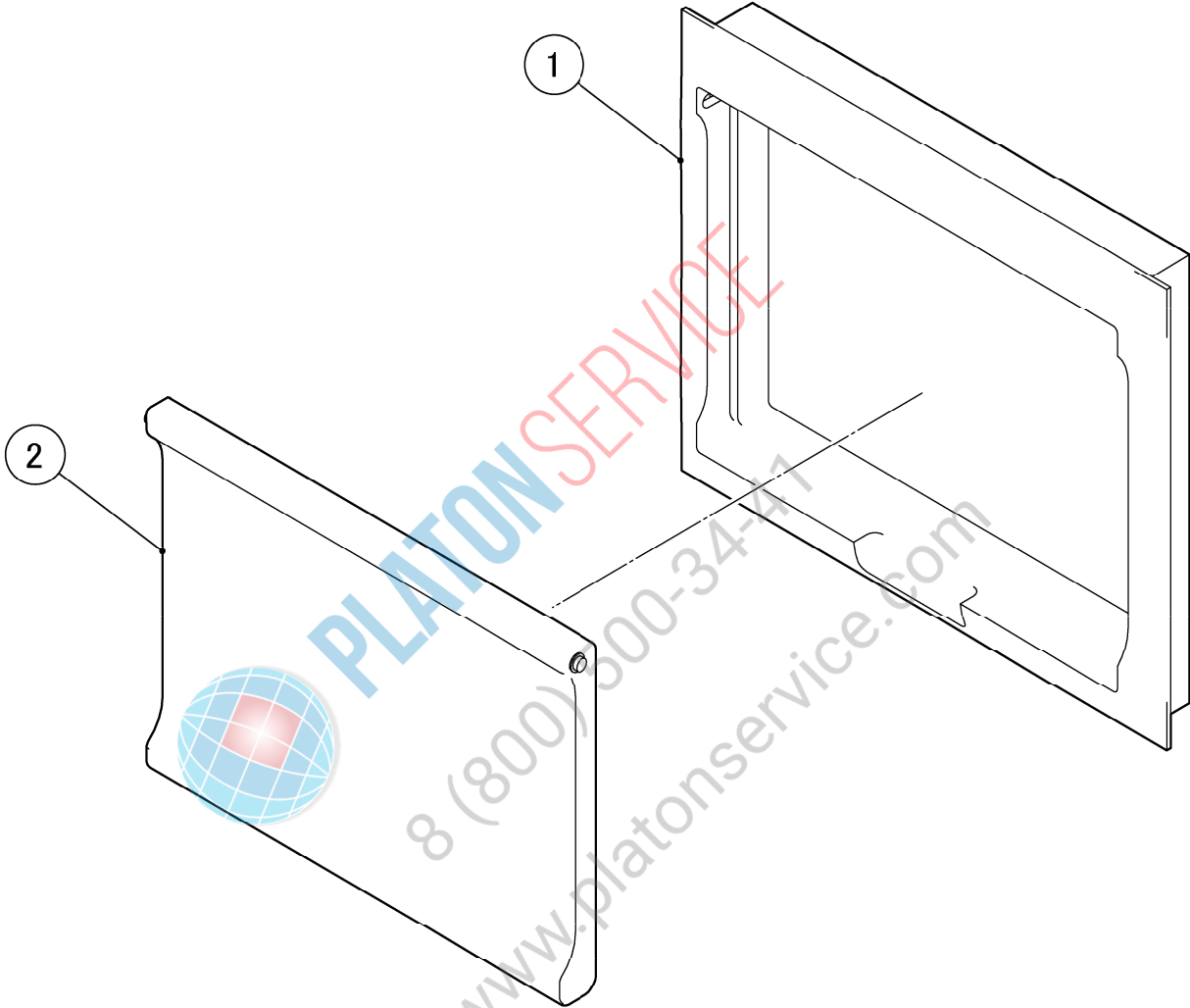


PLATON SERVICE  
 8 (800) 500-34-41  
 www.platonservice.com



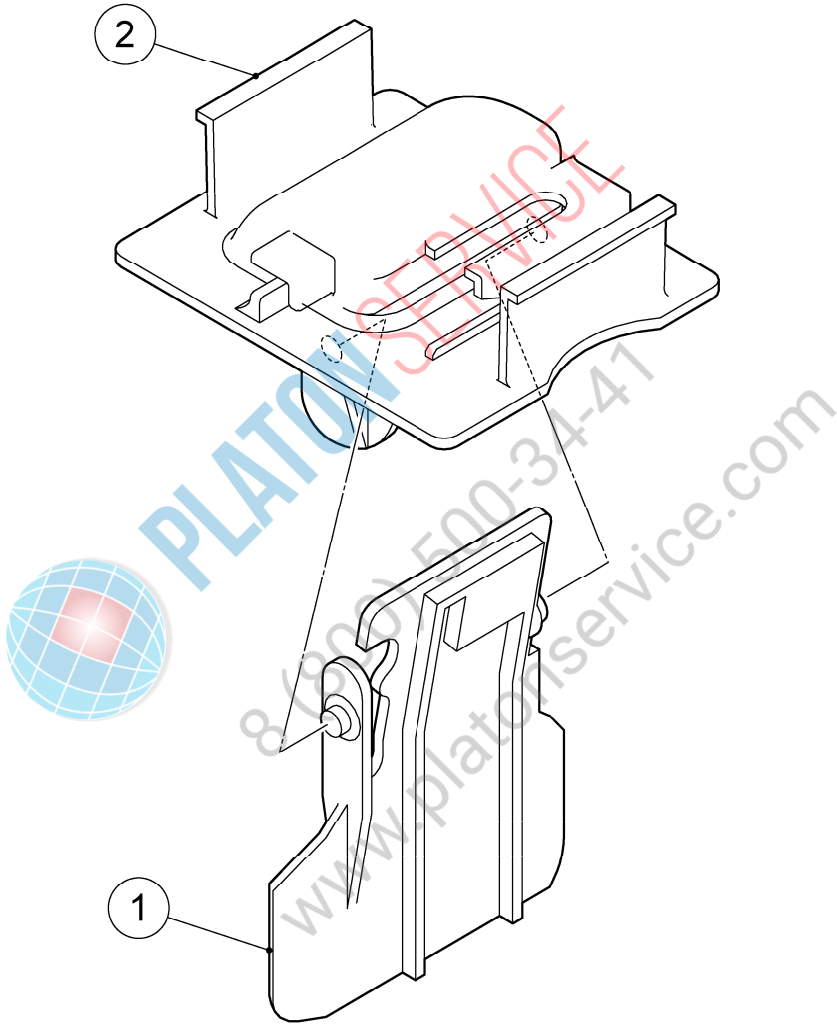
HE

| MODEL: FM-80KE, FM-80KE-N |                                 |                          |             | TITLE: E. SPOUT ASSY |     |  |  |  |
|---------------------------|---------------------------------|--------------------------|-------------|----------------------|-----|--|--|--|
| INDEX NO.                 | DESCRIPTION                     | MATERIAL OR MODEL NUMBER | PART NUMBER | REQ'D NUMBER         |     |  |  |  |
|                           |                                 |                          |             | B-1<br>C-0           | C-1 |  |  |  |
| 1                         | SPOUT                           |                          | 232636G01   | 1                    | 1   |  |  |  |
| 2                         | SWITCH BRACKET                  |                          | 466282-01   | 1                    | 1   |  |  |  |
| 3                         | MICRO SWITCH                    | ABS1624318               | 443992-02   | 1                    | 1   |  |  |  |
| 4                         | (SPRING WASHER AND FLAT WASHER) |                          | FSK0408S0   | 2                    | 2   |  |  |  |
| 5                         | (SPRING WASHER AND FLAT WASHER) |                          | 470416-01   | 2                    | 2   |  |  |  |
|                           |                                 |                          |             |                      |     |  |  |  |
|                           |                                 |                          |             |                      |     |  |  |  |
|                           |                                 |                          |             |                      |     |  |  |  |
|                           |                                 |                          |             |                      |     |  |  |  |
|                           |                                 |                          |             |                      |     |  |  |  |
|                           |                                 |                          |             |                      |     |  |  |  |
|                           |                                 |                          |             |                      |     |  |  |  |
|                           |                                 |                          |             |                      |     |  |  |  |
|                           |                                 |                          |             |                      |     |  |  |  |
|                           |                                 |                          |             |                      |     |  |  |  |
|                           |                                 |                          |             |                      |     |  |  |  |
|                           |                                 |                          |             |                      |     |  |  |  |
|                           |                                 |                          |             |                      |     |  |  |  |
|                           |                                 |                          |             |                      |     |  |  |  |
|                           |                                 |                          |             |                      |     |  |  |  |
|                           |                                 |                          |             |                      |     |  |  |  |
|                           |                                 |                          |             |                      |     |  |  |  |
|                           |                                 |                          |             |                      |     |  |  |  |
|                           |                                 |                          |             |                      |     |  |  |  |
|                           |                                 |                          |             |                      |     |  |  |  |



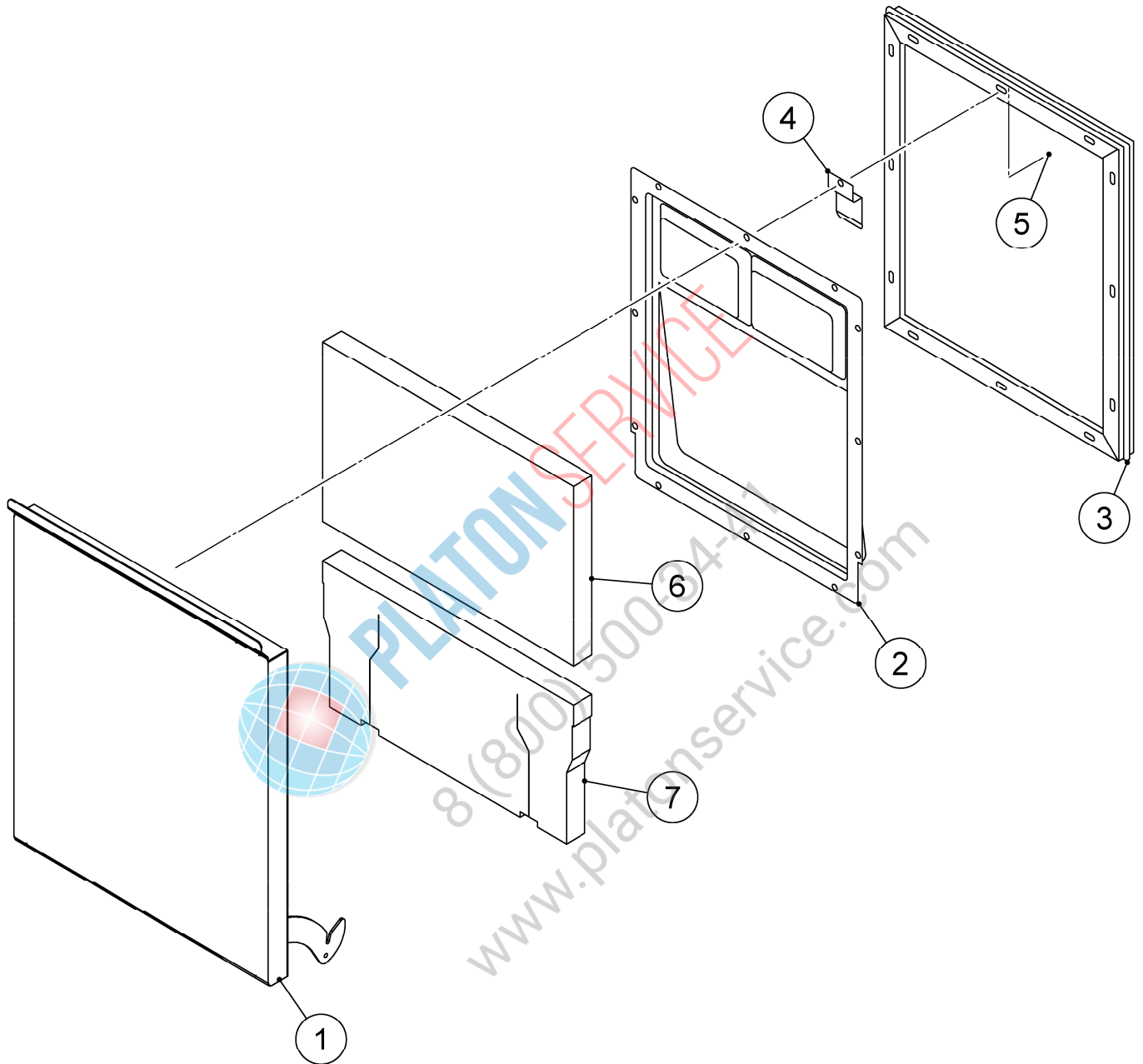






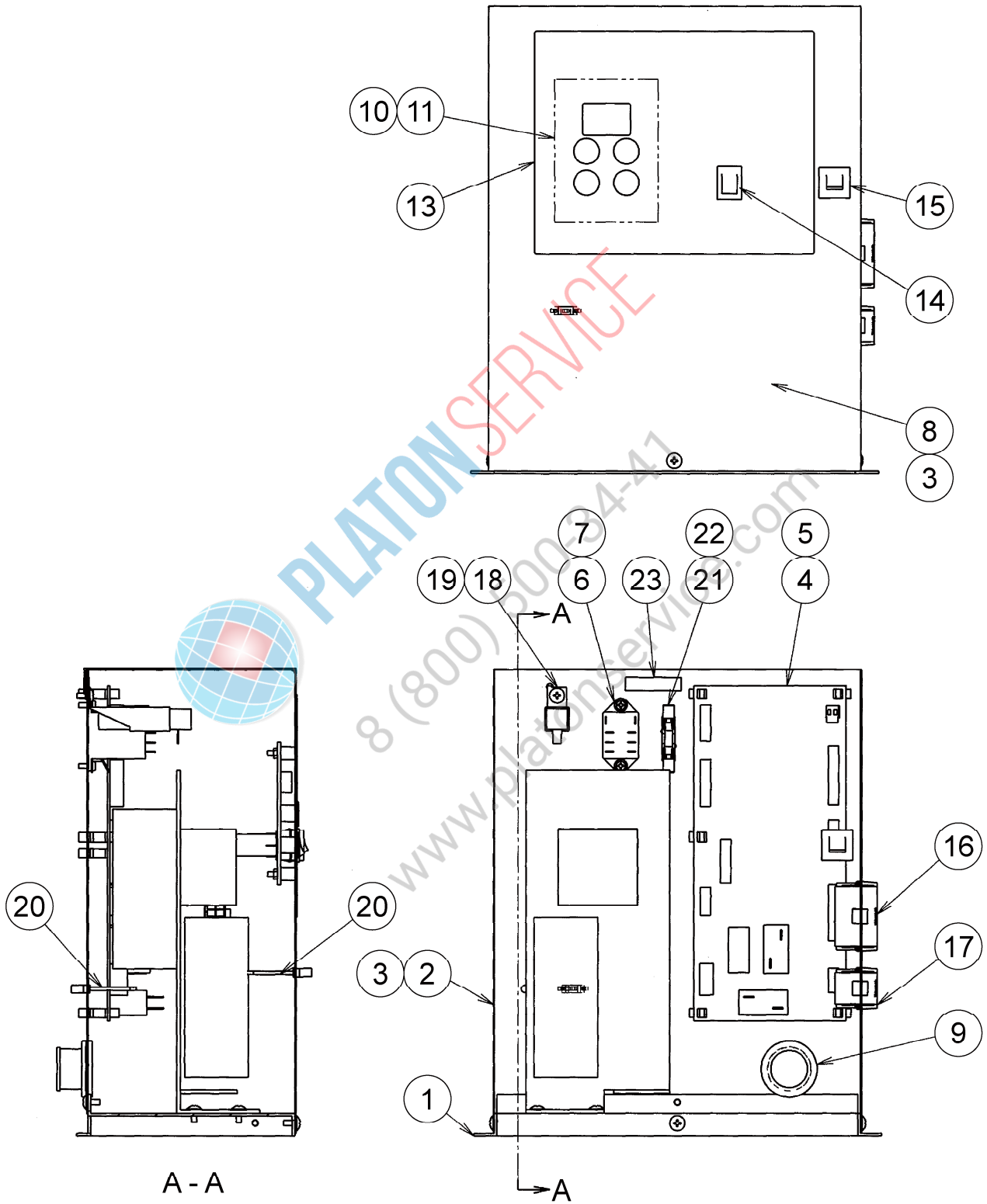
HE

| MODEL: FM-80KE, FM-80KE-N |               | TITLE: G. ACTUATOR ASSY  |             |              |     |  |  |  |
|---------------------------|---------------|--------------------------|-------------|--------------|-----|--|--|--|
| INDEX NO.                 | DESCRIPTION   | MATERIAL OR MODEL NUMBER | PART NUMBER | REQ'D NUMBER |     |  |  |  |
|                           |               |                          |             | B-1<br>C-0   | C-1 |  |  |  |
| 1                         | ACTUATOR      |                          | 345878G01   | 1            | 1   |  |  |  |
| 2                         | ACTUATOR BASE |                          | 345879-01   | 1            | 1   |  |  |  |
|                           |               |                          |             |              |     |  |  |  |
|                           |               |                          |             |              |     |  |  |  |
|                           |               |                          |             |              |     |  |  |  |
|                           |               |                          |             |              |     |  |  |  |
|                           |               |                          |             |              |     |  |  |  |
|                           |               |                          |             |              |     |  |  |  |
|                           |               |                          |             |              |     |  |  |  |
|                           |               |                          |             |              |     |  |  |  |
|                           |               |                          |             |              |     |  |  |  |
|                           |               |                          |             |              |     |  |  |  |
|                           |               |                          |             |              |     |  |  |  |
|                           |               |                          |             |              |     |  |  |  |
|                           |               |                          |             |              |     |  |  |  |
|                           |               |                          |             |              |     |  |  |  |
|                           |               |                          |             |              |     |  |  |  |
|                           |               |                          |             |              |     |  |  |  |
|                           |               |                          |             |              |     |  |  |  |
|                           |               |                          |             |              |     |  |  |  |
|                           |               |                          |             |              |     |  |  |  |
|                           |               |                          |             |              |     |  |  |  |
|                           |               |                          |             |              |     |  |  |  |
|                           |               |                          |             |              |     |  |  |  |
|                           |               |                          |             |              |     |  |  |  |
|                           |               |                          |             |              |     |  |  |  |
|                           |               |                          |             |              |     |  |  |  |



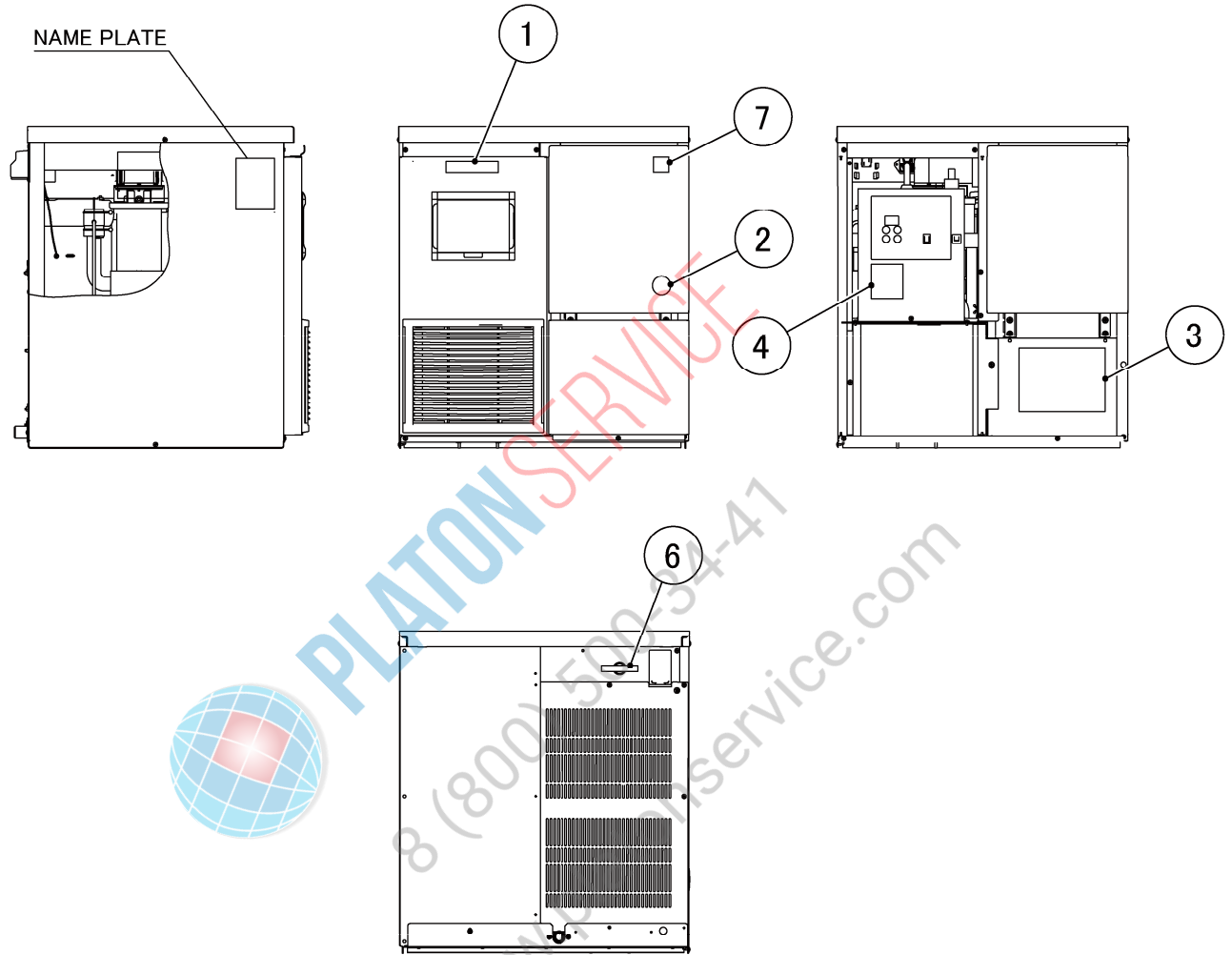
HE

| MODEL: FM-80KE, FM-80KE-N |                             | TITLE: H. DOOR ASSY      |             |              |     |  |  |  |
|---------------------------|-----------------------------|--------------------------|-------------|--------------|-----|--|--|--|
| INDEX NO.                 | DESCRIPTION                 | MATERIAL OR MODEL NUMBER | PART NUMBER | REQ'D NUMBER |     |  |  |  |
|                           |                             |                          |             | B-1<br>C-0   | C-1 |  |  |  |
| 1                         | DOOR                        |                          | 373746G01   | 1            | 1   |  |  |  |
| 2                         | REVERSE COVER               |                          | 311002-01   | 1            | 1   |  |  |  |
| 3                         | GASKET                      |                          | 311003-01   | 1            | 1   |  |  |  |
| 4                         | CATCH - SLOPE               |                          | 4H0439-01   | 1            | 1   |  |  |  |
| 5                         | TRUSS HEAD TAPPING SCREW T2 |                          | FT20412M0   | 12           | 12  |  |  |  |
| 6                         | INSULATION - DOOR (A4)      |                          | 3Y2847P04   | 1            | 1   |  |  |  |
| 7                         | INSULATION - DOOR (B4)      |                          | 3Y2848P04   | 1            | 1   |  |  |  |
|                           |                             |                          |             |              |     |  |  |  |
|                           |                             |                          |             |              |     |  |  |  |
|                           |                             |                          |             |              |     |  |  |  |
|                           |                             |                          |             |              |     |  |  |  |
|                           |                             |                          |             |              |     |  |  |  |
|                           |                             |                          |             |              |     |  |  |  |
|                           |                             |                          |             |              |     |  |  |  |
|                           |                             |                          |             |              |     |  |  |  |
|                           |                             |                          |             |              |     |  |  |  |
|                           |                             |                          |             |              |     |  |  |  |
|                           |                             |                          |             |              |     |  |  |  |
|                           |                             |                          |             |              |     |  |  |  |
|                           |                             |                          |             |              |     |  |  |  |
|                           |                             |                          |             |              |     |  |  |  |
|                           |                             |                          |             |              |     |  |  |  |
|                           |                             |                          |             |              |     |  |  |  |
|                           |                             |                          |             |              |     |  |  |  |
|                           |                             |                          |             |              |     |  |  |  |



HE

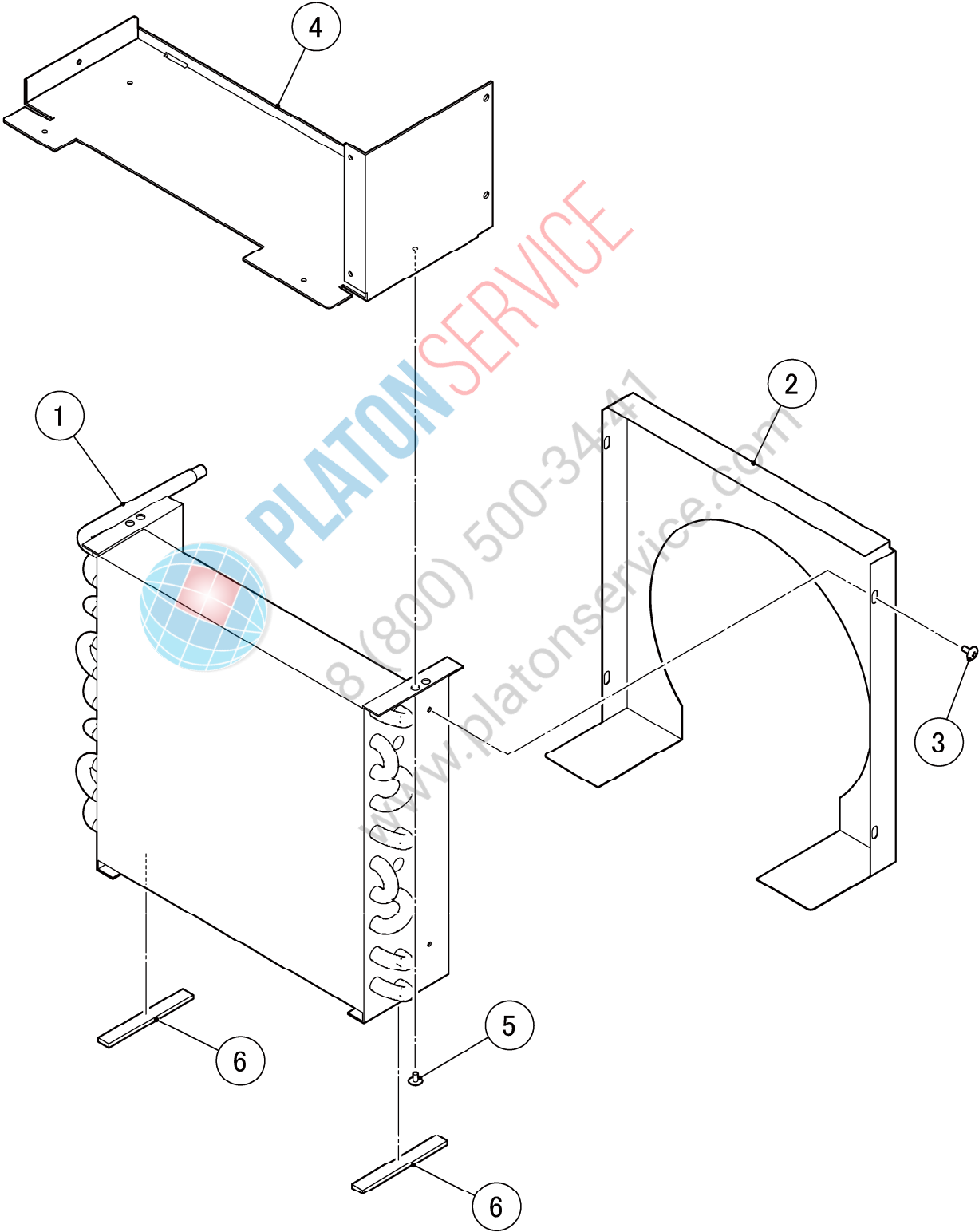
| MODEL: FM-80KE, FM-80KE-N |                          |                          |             |              |     |  |  | TITLE: J. CONTROL BOX ASSY |  |  |  |
|---------------------------|--------------------------|--------------------------|-------------|--------------|-----|--|--|----------------------------|--|--|--|
| INDEX NO.                 | DESCRIPTION              | MATERIAL OR MODEL NUMBER | PART NUMBER | REQ'D NUMBER |     |  |  |                            |  |  |  |
|                           |                          |                          |             | B-1<br>C-0   | C-1 |  |  |                            |  |  |  |
| 1                         | CONTROL BOX (A)          |                          | 376114M01   | 1            | 1   |  |  |                            |  |  |  |
| 2                         | CONTROL BOX (B)          |                          | 376113M01   | 1            | 1   |  |  |                            |  |  |  |
| 3                         | TRUSS HEAD MACHINE SCREW |                          | FST0408F0   | 4            | 4   |  |  |                            |  |  |  |
| 4                         | CONTROLLER BOARD - 09CM  |                          | P01372-99   | 1            | 1   |  |  |                            |  |  |  |
| 5                         | BOARD SUPPORT            | KGLS-6S                  | 414929-01   | 6            | 6   |  |  |                            |  |  |  |
| 6                         | RELAY                    | LY2F AC240V              | 406132-08   | 1            | 1   |  |  |                            |  |  |  |
| 7                         | TAPPING SCREW            | 3x8                      | 431415-01   | 2            | 2   |  |  |                            |  |  |  |
| 8                         | COVER A - CONT.BOX       |                          | 376115G01   | 1            | 1   |  |  |                            |  |  |  |
| 9                         | GROMMET                  |                          | 4H2568-01   | 1            | 1   |  |  |                            |  |  |  |
| 10                        | SPACER                   | 4EP-9                    | 451658-05   | 4            | 4   |  |  |                            |  |  |  |
| 11                        | OPERATION BOARD - 09CM   |                          | P01373-01   | 1            | 1   |  |  |                            |  |  |  |
| 12                        | NUT                      |                          | FNH103F0    | 4            | 4   |  |  |                            |  |  |  |
| 13                        | CONTROL LABEL            |                          | 374148L01   | 1            | 1   |  |  |                            |  |  |  |
| 14                        | ROCKER SWITCH            |                          | 460681-01   | 1            | 1   |  |  |                            |  |  |  |
| 15                        | PROTECTOR                | W28XQIA-6                | 440972-03   | 1            | 1   |  |  |                            |  |  |  |
| 16                        | HARNESS (A)              |                          | 376106G01   | 1            | 1   |  |  |                            |  |  |  |
| 17                        | HARNESS (B)              |                          | 473845G01   | 1            | 1   |  |  |                            |  |  |  |
| 18                        | SUREGE ABSORBOR          |                          | 436573-02   | 1            | 1   |  |  |                            |  |  |  |
| 19                        | TRUSS HEAD MACHINE SCREW | SUS 4x8                  | FST0408S0   | 1            | 1   |  |  |                            |  |  |  |
| 20                        | CLAMP                    | No.249                   | 427902-03   | 2            | 2   |  |  |                            |  |  |  |
| 21                        | FUSE HOLDER              |                          | 4Y2547-01   | 1            | 1   |  |  |                            |  |  |  |
| 22                        | FUSE                     |                          | 451924-02   | 1            | 1   |  |  |                            |  |  |  |
| 23                        | LABEL/FUSE               |                          | 477494L01   | 1            | 1   |  |  |                            |  |  |  |
|                           |                          |                          |             |              |     |  |  |                            |  |  |  |
|                           |                          |                          |             |              |     |  |  |                            |  |  |  |
|                           |                          |                          |             |              |     |  |  |                            |  |  |  |
|                           |                          |                          |             |              |     |  |  |                            |  |  |  |
|                           |                          |                          |             |              |     |  |  |                            |  |  |  |
|                           |                          |                          |             |              |     |  |  |                            |  |  |  |
|                           |                          |                          |             |              |     |  |  |                            |  |  |  |
|                           |                          |                          |             |              |     |  |  |                            |  |  |  |
|                           |                          |                          |             |              |     |  |  |                            |  |  |  |
|                           |                          |                          |             |              |     |  |  |                            |  |  |  |
|                           |                          |                          |             |              |     |  |  |                            |  |  |  |
|                           |                          |                          |             |              |     |  |  |                            |  |  |  |
|                           |                          |                          |             |              |     |  |  |                            |  |  |  |
|                           |                          |                          |             |              |     |  |  |                            |  |  |  |
|                           |                          |                          |             |              |     |  |  |                            |  |  |  |
|                           |                          |                          |             |              |     |  |  |                            |  |  |  |
|                           |                          |                          |             |              |     |  |  |                            |  |  |  |
|                           |                          |                          |             |              |     |  |  |                            |  |  |  |





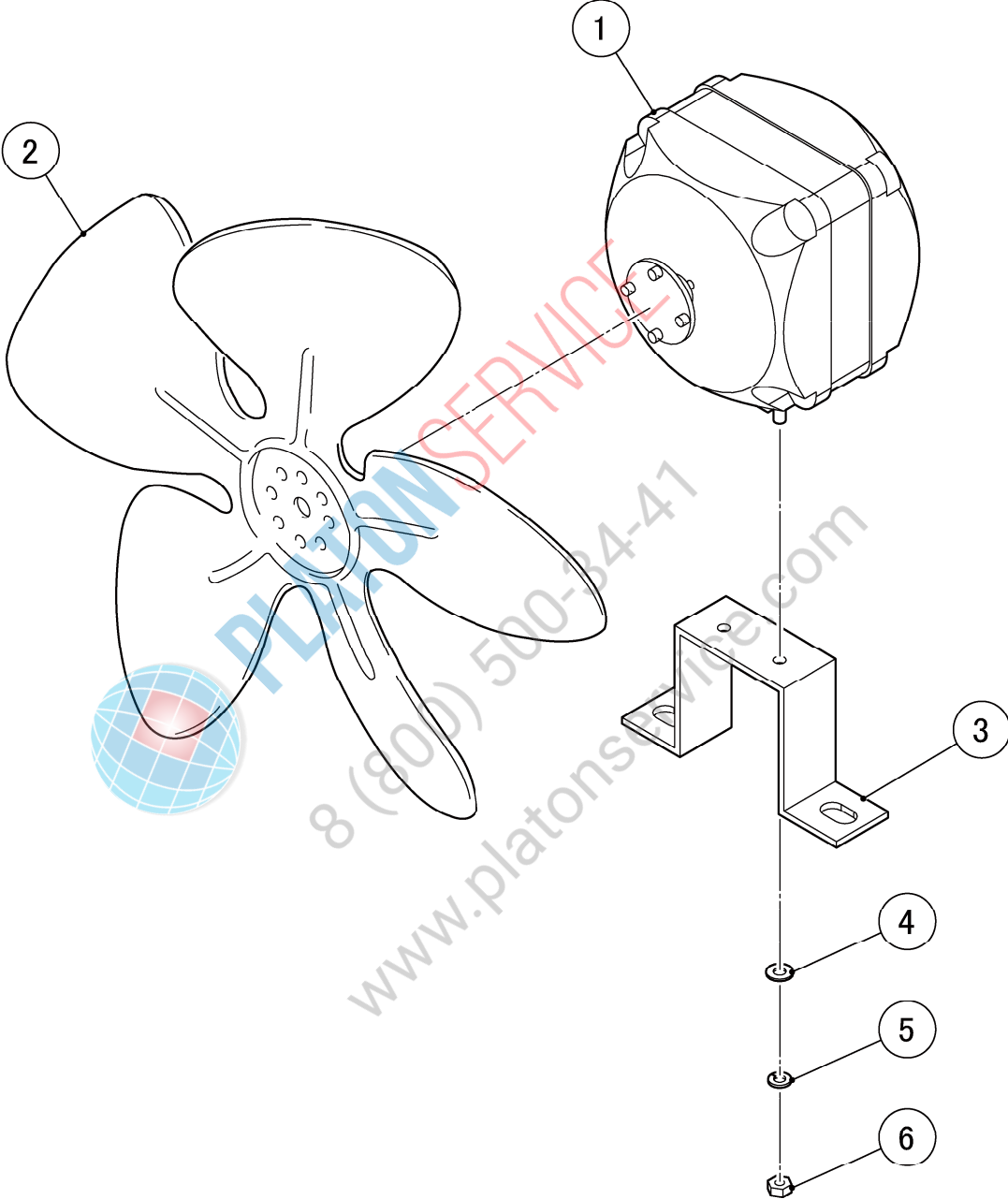
HE

| MODEL: FM-80KE, FM-80KE-N |                         | TITLE: K. LABEL LOCATION |             |              |     |  |  |  |
|---------------------------|-------------------------|--------------------------|-------------|--------------|-----|--|--|--|
| INDEX NO.                 | DESCRIPTION             | MATERIAL OR MODEL NUMBER | PART NUMBER | REQ'D NUMBER |     |  |  |  |
|                           |                         |                          |             | B-1<br>C-0   | C-1 |  |  |  |
| 1                         | EMBLEM                  |                          | 340842-01   | 1            | 1   |  |  |  |
| 2                         | LABEL-PENGUIN           |                          | 454387-02   | 1            | 1   |  |  |  |
| 3                         | WIRING LABEL            |                          | 261658L01   | 1            | -   |  |  |  |
|                           |                         |                          | 265041L01   |              | 1   |  |  |  |
| 4                         | CAUTION LABEL - SERVICE |                          | 471180L01   | 1            | 1   |  |  |  |
| 6                         | CAUTION-LABEL           |                          | 452552-01   | 1            | 1   |  |  |  |
| 7                         | LABEL - HACCP           |                          | 476519L01   | 1            | 1   |  |  |  |
|                           |                         |                          |             |              |     |  |  |  |
|                           |                         |                          |             |              |     |  |  |  |
|                           |                         |                          |             |              |     |  |  |  |
|                           |                         |                          |             |              |     |  |  |  |
|                           |                         |                          |             |              |     |  |  |  |
|                           |                         |                          |             |              |     |  |  |  |
|                           |                         |                          |             |              |     |  |  |  |
|                           |                         |                          |             |              |     |  |  |  |
|                           |                         |                          |             |              |     |  |  |  |
|                           |                         |                          |             |              |     |  |  |  |
|                           |                         |                          |             |              |     |  |  |  |
|                           |                         |                          |             |              |     |  |  |  |
|                           |                         |                          |             |              |     |  |  |  |
|                           |                         |                          |             |              |     |  |  |  |
|                           |                         |                          |             |              |     |  |  |  |
|                           |                         |                          |             |              |     |  |  |  |
|                           |                         |                          |             |              |     |  |  |  |
|                           |                         |                          |             |              |     |  |  |  |
|                           |                         |                          |             |              |     |  |  |  |
|                           |                         |                          |             |              |     |  |  |  |
|                           |                         |                          |             |              |     |  |  |  |
|                           |                         |                          |             |              |     |  |  |  |



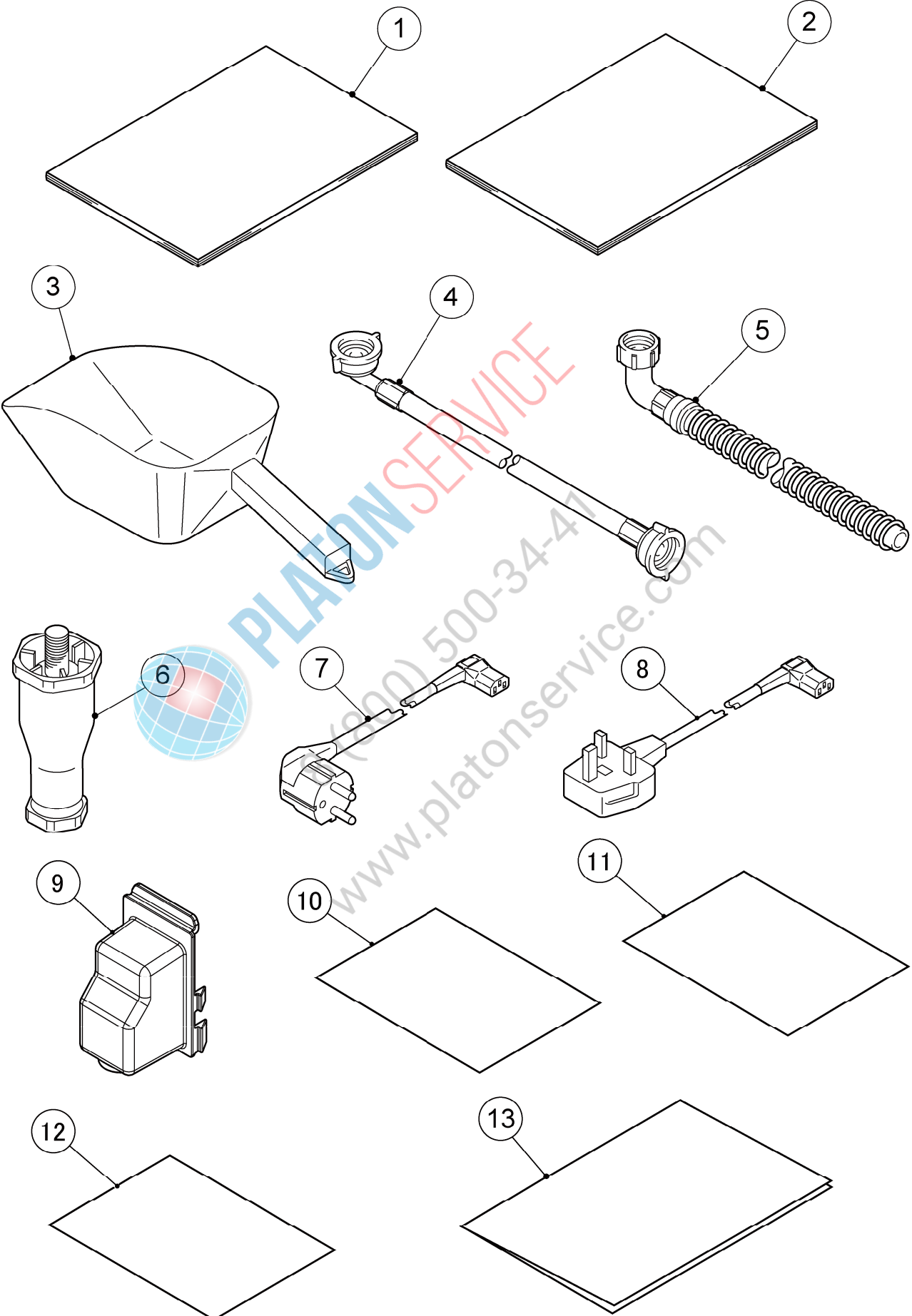
HE

| MODEL: <b>FM-80KE, FM-80KE-N</b> |                             |                          |             | TITLE: <b>L. CONDENSER ASSY</b> |     |  |  |  |
|----------------------------------|-----------------------------|--------------------------|-------------|---------------------------------|-----|--|--|--|
| INDEX NO.                        | DESCRIPTION                 | MATERIAL OR MODEL NUMBER | PART NUMBER | REQ'D NUMBER                    |     |  |  |  |
|                                  |                             |                          |             | B-1<br>C-0                      | C-1 |  |  |  |
| 1                                | CONDENSER-AIR COOLED        |                          | 2H5655-01   | 1                               | 1   |  |  |  |
| 2                                | SHROUD                      |                          | 363133-01   | 1                               | 1   |  |  |  |
| 3                                | TRUSS HEAD TAPPING SCREW T2 |                          | FT20408F0   | 4                               | 4   |  |  |  |
| 4                                | BRACKET - CONTROL BOX       |                          | 376108M01   | 1                               | 1   |  |  |  |
| 5                                | TRUSS HEAD MACHINE SCREW    |                          | FST0406F0   | 2                               | 2   |  |  |  |
| 6                                | SOFT TAPE                   |                          | 261613-06   | 2                               | 2   |  |  |  |
|                                  |                             |                          |             |                                 |     |  |  |  |
|                                  |                             |                          |             |                                 |     |  |  |  |
|                                  |                             |                          |             |                                 |     |  |  |  |
|                                  |                             |                          |             |                                 |     |  |  |  |
|                                  |                             |                          |             |                                 |     |  |  |  |
|                                  |                             |                          |             |                                 |     |  |  |  |
|                                  |                             |                          |             |                                 |     |  |  |  |
|                                  |                             |                          |             |                                 |     |  |  |  |
|                                  |                             |                          |             |                                 |     |  |  |  |
|                                  |                             |                          |             |                                 |     |  |  |  |
|                                  |                             |                          |             |                                 |     |  |  |  |
|                                  |                             |                          |             |                                 |     |  |  |  |
|                                  |                             |                          |             |                                 |     |  |  |  |
|                                  |                             |                          |             |                                 |     |  |  |  |
|                                  |                             |                          |             |                                 |     |  |  |  |
|                                  |                             |                          |             |                                 |     |  |  |  |
|                                  |                             |                          |             |                                 |     |  |  |  |
|                                  |                             |                          |             |                                 |     |  |  |  |
|                                  |                             |                          |             |                                 |     |  |  |  |
|                                  |                             |                          |             |                                 |     |  |  |  |
|                                  |                             |                          |             |                                 |     |  |  |  |
|                                  |                             |                          |             |                                 |     |  |  |  |
|                                  |                             |                          |             |                                 |     |  |  |  |
|                                  |                             |                          |             |                                 |     |  |  |  |
|                                  |                             |                          |             |                                 |     |  |  |  |
|                                  |                             |                          |             |                                 |     |  |  |  |
|                                  |                             |                          |             |                                 |     |  |  |  |
|                                  |                             |                          |             |                                 |     |  |  |  |
|                                  |                             |                          |             |                                 |     |  |  |  |
|                                  |                             |                          |             |                                 |     |  |  |  |
|                                  |                             |                          |             |                                 |     |  |  |  |
|                                  |                             |                          |             |                                 |     |  |  |  |
|                                  |                             |                          |             |                                 |     |  |  |  |
|                                  |                             |                          |             |                                 |     |  |  |  |
|                                  |                             |                          |             |                                 |     |  |  |  |
|                                  |                             |                          |             |                                 |     |  |  |  |
|                                  |                             |                          |             |                                 |     |  |  |  |
|                                  |                             |                          |             |                                 |     |  |  |  |
|                                  |                             |                          |             |                                 |     |  |  |  |
|                                  |                             |                          |             |                                 |     |  |  |  |
|                                  |                             |                          |             |                                 |     |  |  |  |
|                                  |                             |                          |             |                                 |     |  |  |  |
|                                  |                             |                          |             |                                 |     |  |  |  |
|                                  |                             |                          |             |                                 |     |  |  |  |
|                                  |                             |                          |             |                                 |     |  |  |  |
|                                  |                             |                          |             |                                 |     |  |  |  |
|                                  |                             |                          |             |                                 |     |  |  |  |
|                                  |                             |                          |             |                                 |     |  |  |  |
|                                  |                             |                          |             |                                 |     |  |  |  |
|                                  |                             |                          |             |                                 |     |  |  |  |
|                                  |                             |                          |             |                                 |     |  |  |  |
|                                  |                             |                          |             |                                 |     |  |  |  |
|                                  |                             |                          |             |                                 |     |  |  |  |



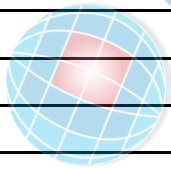
HE

| MODEL: FM-80KE, FM-80KE-N |               | TITLE: M. FAN MOTOR ASSY |             |              |     |  |  |  |
|---------------------------|---------------|--------------------------|-------------|--------------|-----|--|--|--|
| INDEX NO.                 | DESCRIPTION   | MATERIAL OR MODEL NUMBER | PART NUMBER | REQ'D NUMBER |     |  |  |  |
|                           |               |                          |             | B-1<br>C-0   | C-1 |  |  |  |
| 1                         | FAN MOTOR     | M4Q045-CA01-01           | P00156-01   | 1            | 1   |  |  |  |
| 2                         | FAN           |                          | 451770-01   | 1            | 1   |  |  |  |
| 3                         | BRACKET - FM  |                          | 3Y5970M01   | 1            | 1   |  |  |  |
| 4                         | FLAT WASHER   |                          | FWPL04S0    | 2            | 2   |  |  |  |
| 5                         | SPRING WASHER |                          | FWSP04S0    | 2            | 2   |  |  |  |
| 6                         | NUT           |                          | FNH104S0    | 2            | 2   |  |  |  |
|                           |               |                          |             |              |     |  |  |  |
|                           |               |                          |             |              |     |  |  |  |
|                           |               |                          |             |              |     |  |  |  |
|                           |               |                          |             |              |     |  |  |  |
|                           |               |                          |             |              |     |  |  |  |
|                           |               |                          |             |              |     |  |  |  |
|                           |               |                          |             |              |     |  |  |  |
|                           |               |                          |             |              |     |  |  |  |
|                           |               |                          |             |              |     |  |  |  |
|                           |               |                          |             |              |     |  |  |  |
|                           |               |                          |             |              |     |  |  |  |
|                           |               |                          |             |              |     |  |  |  |
|                           |               |                          |             |              |     |  |  |  |
|                           |               |                          |             |              |     |  |  |  |
|                           |               |                          |             |              |     |  |  |  |
|                           |               |                          |             |              |     |  |  |  |
|                           |               |                          |             |              |     |  |  |  |
|                           |               |                          |             |              |     |  |  |  |
|                           |               |                          |             |              |     |  |  |  |
|                           |               |                          |             |              |     |  |  |  |
|                           |               |                          |             |              |     |  |  |  |
|                           |               |                          |             |              |     |  |  |  |
|                           |               |                          |             |              |     |  |  |  |
|                           |               |                          |             |              |     |  |  |  |
|                           |               |                          |             |              |     |  |  |  |
|                           |               |                          |             |              |     |  |  |  |
|                           |               |                          |             |              |     |  |  |  |
|                           |               |                          |             |              |     |  |  |  |
|                           |               |                          |             |              |     |  |  |  |
|                           |               |                          |             |              |     |  |  |  |



HE

| MODEL: FM-80KE, FM-80KE-N |                            |                             |                |              |     |  |  |  |  |  |
|---------------------------|----------------------------|-----------------------------|----------------|--------------|-----|--|--|--|--|--|
| TITLE: N. ACCESSORIES     |                            |                             |                |              |     |  |  |  |  |  |
| INDEX<br>NO.              | DESCRIPTION                | MATERIAL OR<br>MODEL NUMBER | PART<br>NUMBER | REQ'D NUMBER |     |  |  |  |  |  |
|                           |                            |                             |                | B-1<br>C-0   | C-1 |  |  |  |  |  |
| 1                         | INSTRUCTION MANUAL         |                             | L1F080202      | 1            | 1   |  |  |  |  |  |
| 2                         | INSTALLATION MANUAL        |                             | L2F080203      | 1            | 1   |  |  |  |  |  |
| 3                         | SCOOP                      |                             | 208185-01      | 1            | 1   |  |  |  |  |  |
| 4                         | INLET HOSE                 |                             | 450722-01      | 1            | 1   |  |  |  |  |  |
| 5                         | OUTLET HOSE                |                             | 452365-01      | 1            | 1   |  |  |  |  |  |
| 6                         | LEG                        |                             | 462576-01      | 4            | 4   |  |  |  |  |  |
| 7                         | POWER CORD                 |                             | P00240-01      | 1            | 1   |  |  |  |  |  |
| 8                         | POWER CORD                 |                             | P00241-01      | 1            | 1   |  |  |  |  |  |
| 9                         | COVER-CONNECTOR            |                             | 2X0271P01      | 1            | 1   |  |  |  |  |  |
| 10                        | PE BAG (STANDARD)          |                             | 7V90-0012      | 1            | 1   |  |  |  |  |  |
| 11                        | POLYETHYLENE BAG (300*450) |                             | 7V90-0015      | 1            | 1   |  |  |  |  |  |
| 12                        | PE BAG (STANDARD)          |                             | 7V91-0020      | 1            | 1   |  |  |  |  |  |
| 13                        | INSTRUCTION MANUAL         |                             | 122234L01      | 1            | 1   |  |  |  |  |  |
|                           |                            |                             |                |              |     |  |  |  |  |  |
|                           |                            |                             |                |              |     |  |  |  |  |  |
|                           |                            |                             |                |              |     |  |  |  |  |  |
|                           |                            |                             |                |              |     |  |  |  |  |  |
|                           |                            |                             |                |              |     |  |  |  |  |  |
|                           |                            |                             |                |              |     |  |  |  |  |  |
|                           |                            |                             |                |              |     |  |  |  |  |  |
|                           |                            |                             |                |              |     |  |  |  |  |  |
|                           |                            |                             |                |              |     |  |  |  |  |  |
|                           |                            |                             |                |              |     |  |  |  |  |  |
|                           |                            |                             |                |              |     |  |  |  |  |  |
|                           |                            |                             |                |              |     |  |  |  |  |  |
|                           |                            |                             |                |              |     |  |  |  |  |  |
|                           |                            |                             |                |              |     |  |  |  |  |  |



PLATON SERVICE  
8 (800) 500-3422  
www.platonservice.com